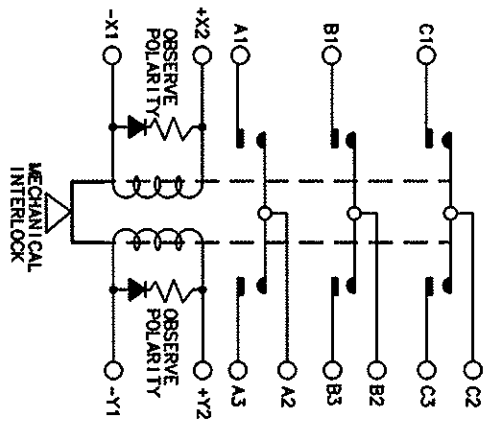
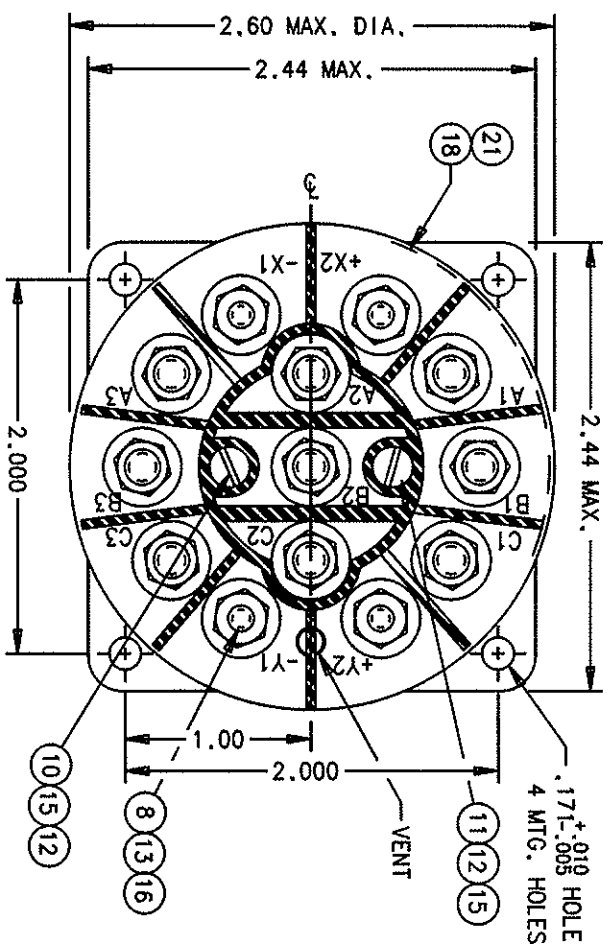


FAA-PMA

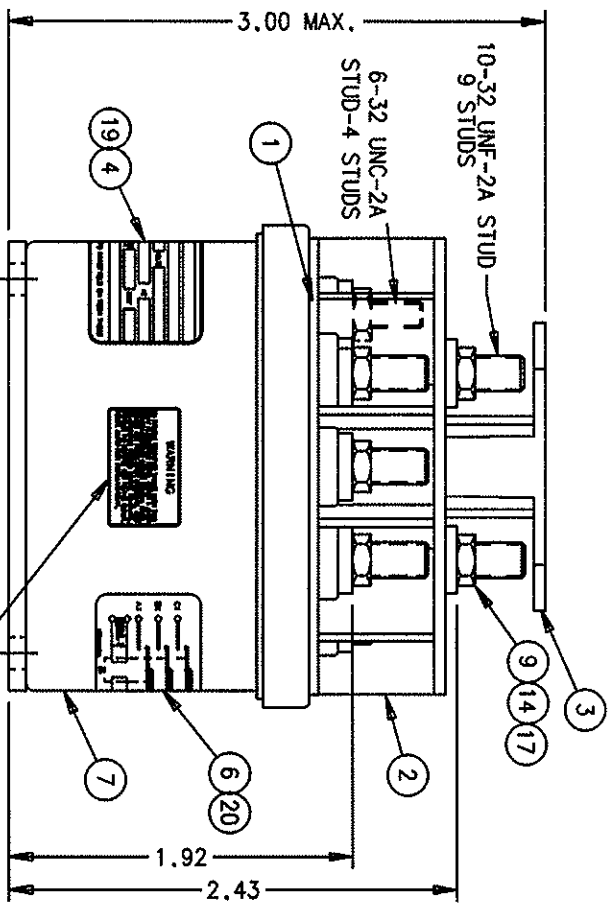
| REV# | DESCRIPTION | RELEASED | DATE | APPROVED |
|-----------|--|----------|----------|----------|
| 39409 | *QAM* REMOVED FROM REF. *VIBRATION* ADDED TO DATA, 1.00 & C/L ADDED, 1.92 & 2.43 ADDED | | 99/05/11 | RS |
| Y 0370-02 | ADDED NOTE 3; UPDATED BALLONS | | 02/11/27 | CA |



CONSTRUCTION
 NOMINAL VOLTAGE 115/200 V, 400 HZ
 CONTACTS 3 P.D.T. CENTER OFF
 CONTACT RATING 50 A, 115 V, 400 HZ
 MOTOR LOAD 20 A, 115 V, 400 HZ
 INTERRUPTING CAPACITY 100 A, 115 V, 400 HZ
 COIL RATING 28 VDC NOMINAL
 PICKUP 30 VDC MAX.
 DROPOUT 18 V, MAX AT 74°C.
 20 V, MAX AT 85°C.
 -5.5 V.

GASKET SEALED
 CONTINUOUS 06 DA 5-55 HZ
 10 G 55-1000 HZ
 5 G 1000-2000 HZ

RATED DUTY VIBRATION
 MAX. WEIGHT 15 OZ
 TEMPERATURE -55°C TO +85°C
 COIL RESISTANCE AT 25°C, 175 OHM ±10%
 MAX. COIL CURRENT AT 28 VDC AT 25°C, .18 AMP
 COIL TRANSIENT 20±10 V.



| QTY | PART OR IDENTIFYING NO | DESCRIPTION | NSN | DRAWING OR SPECIFICATION | MATERIAL OR NOTE |
|-----|------------------------|------------------------------|-----|--------------------------|------------------|
| 21 | 39529-047 | OVERLAY | | | |
| 20 | 39529-009 | OVERLAY | | | |
| 19 | 39529-023 | OVERLAY | | | |
| 18 | 58400-035 | PLATE-FAA/PMA | | AN935B10 | BRONZE |
| 17 | 51810-054 | WASHER-LOCK #6 SPLIT | | AN935B6 | BRONZE |
| 16 | 51806-014 | WASHER-LOCK #6 SPLIT | | | BRONZE |
| 15 | 51805-011 | WASHER-LOCK - 5 INT. SPLIT | | | BRONZE |
| 14 | 51702-204 | WASHER-7/16 X .203 X .031 | | AN961-010 | BRASS |
| 13 | 51702-204 | WASHER-3/8 X 9/64 X .032 | | AN960B6 | BRASS |
| 12 | 51701-180 | WASHER-3/16 X .103 X .015 | | | MYLAR |
| 11 | 51205-591 | SCREW 5-40 X 3/8 RD.HD. | | | BRASS |
| 10 | 51205-391 | SCREW 5-40 X 1 1/8 RD.HD. | | | BRASS |
| 9 | 50410-054 | NUT 10-32 X 5/16 X 9/64 | | | BRASS |
| 8 | 50406-034 | NUT 6-32 X 1/4 X 5/64 | | | BRASS |
| 7 | 20005-110 | CONTACTOR ASSEMBLY PRIMARY | | | BRASS |
| 6 | 18486-001 | PLATE-WIRING DIAGRAM | | | |
| 5 | 17959-001 | PLATE-WARNING | | | |
| 4 | 16043-060 | PLATE-NAME | | | |
| 3 | 15549-001 | SHIELD-TERMINAL-TOP ZYTEL 51 | | | |
| 2 | 15549-001 | SHIELD-TERMINAL ZYTEL 51 | | | |
| 1 | 15537-009 | PLATE-BASE COVER | | | |

- NOTES:
 1.) ITEMS #4,5 AND 6 LOCATION OPTIONAL.
 2.) FAA/PMA PLATE (AND OVERLAY) NOT REQUIRED ON UNITS SUPPLIED TO ORIGINAL EQUIPMENT MANUFACTURERS.
 3.) ITEM 2 SHOULD BE ORIENTED WITH THE CUTOUT TO THE RIGHT TO PROVIDE A SPACE FOR THE VENT.

UNLESS OTHERWISE SPECIFIED DIMENSIONS ARE IN INCHES
 2 PL. DEC. 1/2 PL. DEC. ANGLES
 * .03 * .010 * 1 +

REF. BOEING
 DR BY CSCI02/11/27
 CHK BY CC 02/12/67
 ENGR XZ 03-12-05
 MFG
 SIZE CODE IDENT
 C 74063
 SCALE 1/1 SHEET

TYCO Electronics
 180 Hartford Boulevard, 175 N. Diamond Street, Waukegan, IL 60087
 CONTACTOR - 3PDT
 CENTER OFF
 D-18F
 REF TYCO P/N 0-1616048-4